

Absolute Process Instruments, Inc.

Manufacturer of Quality Signal Conditioners Transmitters & Isolators

Application Notes

- General Info
- Temperature
- Pressure
- Flow
- Speed
- Weighing
- Process

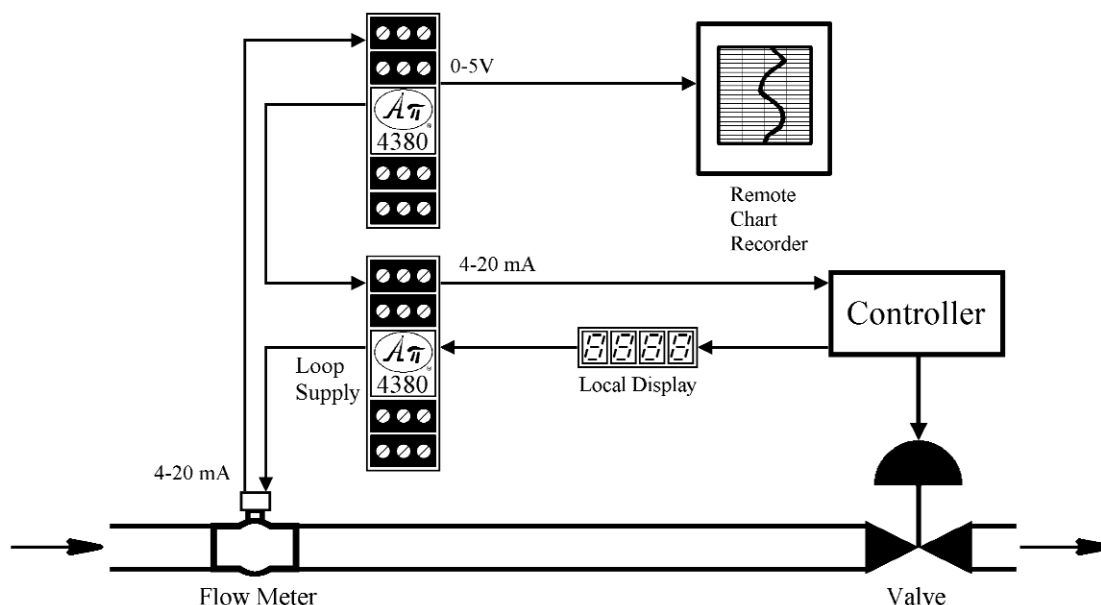
Monitoring and Controlling Liquid Flow From a Single Flow Meter

PROBLEM

A process requires a controlled flow rate of a liquid with a local display of that flow rate and also a chart of the flow rate for record keeping purposes.

SOLUTION

A single flow meter can be utilized for control and monitoring of flow rate if appropriate signal conditioning is provided. In this example, the local display and the flow controller require a 4-20 mADC signal, while the remote chart recorder requires a 0-5 VDC signal.



The flow meter is connected to a pair of **API 4380 DIN** Isolated, Field Ranging DC to DC Isolators. The first **API 4380 DIN** provides loop power for the flow meter from its built-in loop excitation supply, and its 4-20 mADC output drives both the local display and the flow controller. The second **API 4380 DIN** converts the 4-20 mADC signal from the flow meter to a 0-5 VDC signal which is sent to the remotely located chart recorder.

Did You Know...?

The **API 4380 DIN** is available with a 9-30 VDC power supply. Specify **API 4380 DD**.

FREE APPLICATION ASSISTANCE
 Call **Customer Service**
800-942-0315